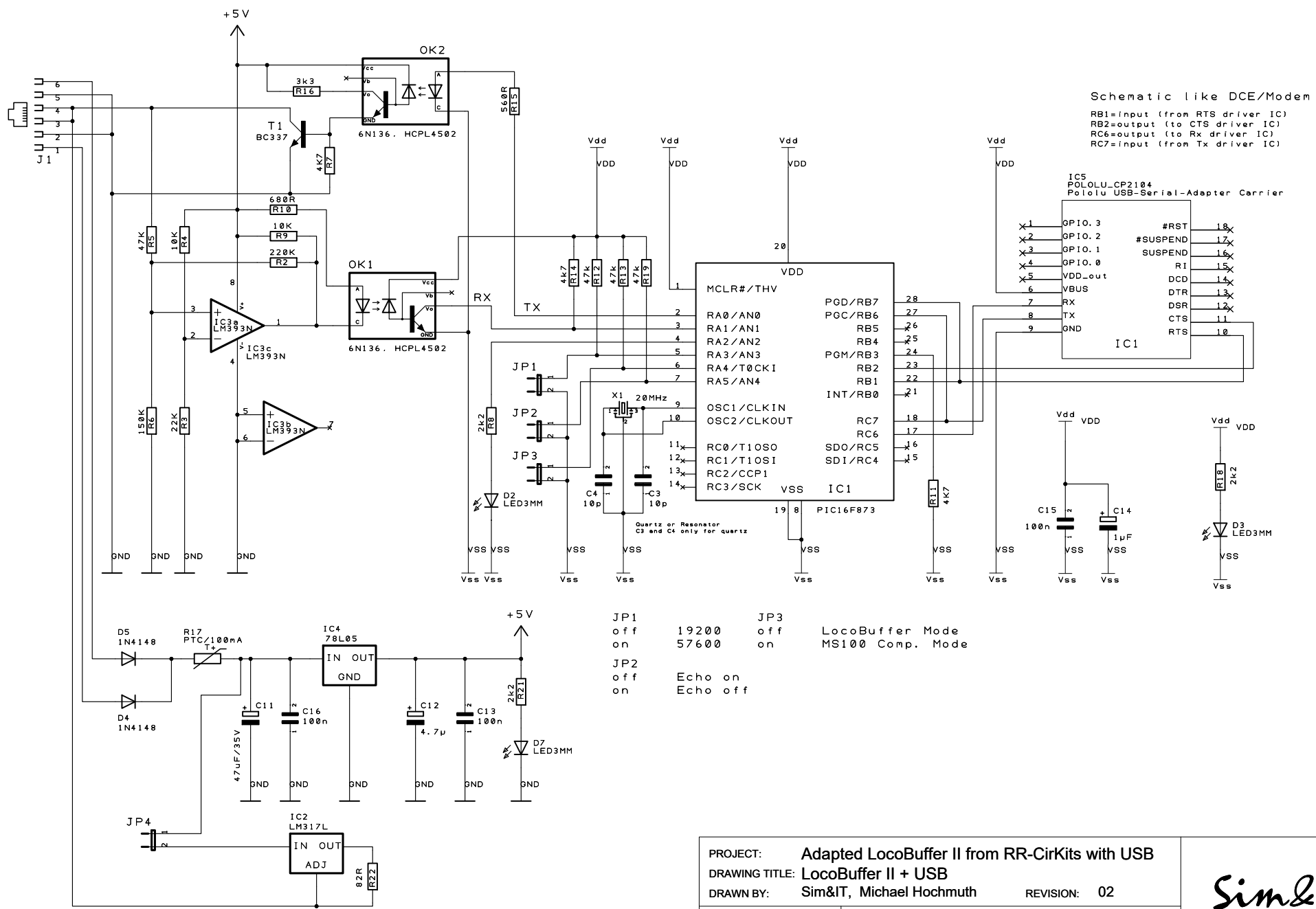


1

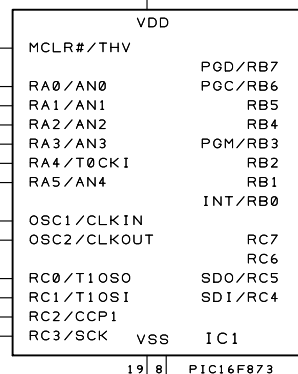
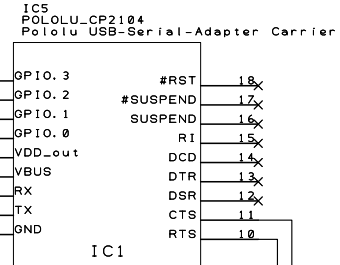
2

3

4



Schematic like DCE/Modem  
 RB1=input (from RTS driver IC)  
 RB2=output (to CTS driver IC)  
 RC6=output (to Rx driver IC)  
 RC7=input (from Tx driver IC)



JP1 off 19200 JP3 off LocoBuffer Mode  
 on 57600 on MS100 Comp. Mode  
 JP2 off Echo on  
 on Echo off

PROJECT: Adapted LocoBuffer II from RR-CirKits with USB	
DRAWING TITLE: LocoBuffer II + USB	
DRAWN BY: Sim&IT, Michael Hochmuth	
REVISION: 02	
SHEET: OF	STATUS:
DATE: 15.09.17	

*Sim&IT*